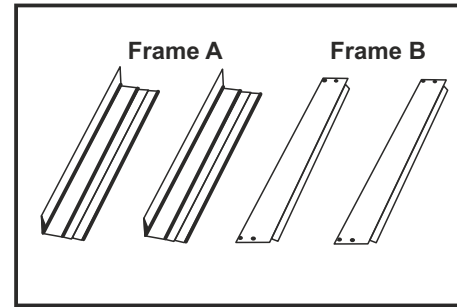
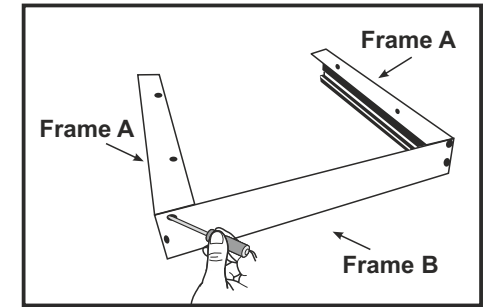


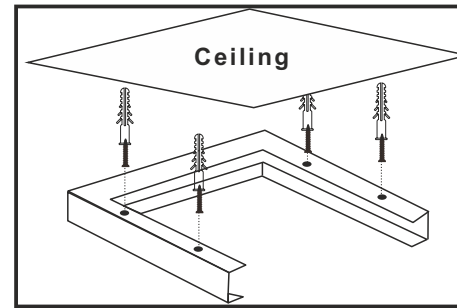
## Installation steps for LED frame



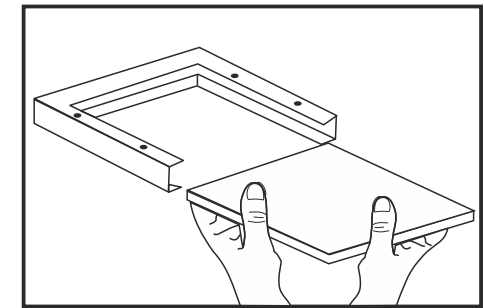
1. Frame - Type A and type B



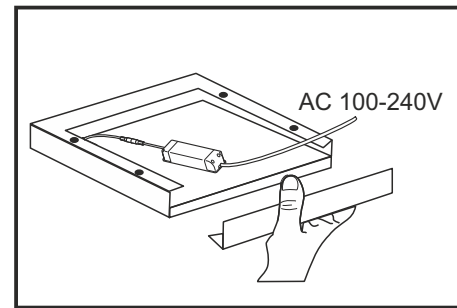
2. Fix the two "A" frames together with and "B" frame



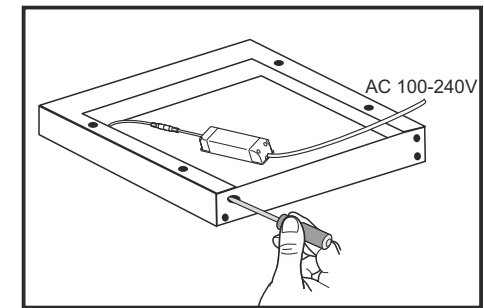
3. Mount the frame to the ceiling



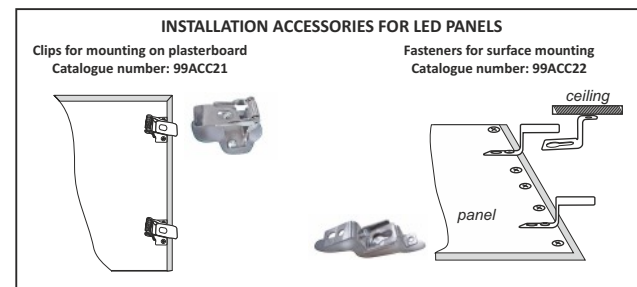
4. Side the LED panels to the frame



5. Insert the driver "B" frame on to the ends of the "A" frames



6. Fix the "B" frame with the screws elements



Read carefully before installation



www.elmarkholding.eu



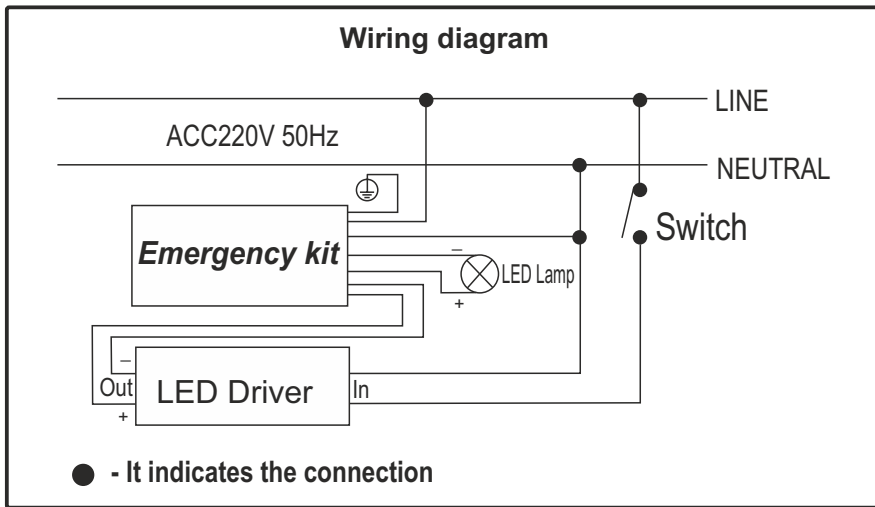
Panel frame for 595/595 mm ceiling mounting - aluminium  
Catalogue number: 92FRAME014

Model	W	K	lm	lm/W	V <sub>AC</sub>	Hz	Size (mm)		
							W	L	H
99XPANEL016*	36	4000	3240	90lm/W	~230V	50/60Hz	595	595	19
99XPANEL014W	40	4000	3600	90lm/W	~230V	50/60Hz	595	595	9
99XPANEL014CW	40	6400	3600	90lm/W	~230V	50/60Hz	595	595	9
99XPANEL015W	40	4000	3600	90lm/W	~230V	50/60Hz	1195	295	9

\*Suitable for surface and ceiling mounting. | Body: Iron+PS | 1YEAR WARRANTY



Wiring diagram



RoHS CB



2+0 standard +extended 2 YEAR TOTAL WARRANTY

The Brand of Electricity

Read carefully before installation



www.elmarkholding.eu



Продукт, който не може да бъде разглобен за проверка, без да се наруши целостта на светлинния източник

A containing product that you cannot disassemble for control measurement of the light source without the risk of damaging the light source.

Model	W	K	lm	lm/W	V <sub>AC</sub>	Hz	Size (mm)		
							W	L	H
92PANEL012WIP44	24	4000	2400	100lm/W	~230V	50/60Hz	259	295	11
92PANEL013WIP44	36	4000	3600	100lm/W	~230V	50/60Hz	295	595	11
92PANEL020WIP44	48	4000	4800	100lm/W	~230V	50/60Hz	595	595	30
92PANEL020CWIP44	48	6400	4800	100lm/W	~230V	50/60Hz	595	595	11
92PANEL018WIP44*	45	4000	4500	100lm/W	~230V	50/60Hz	595	595	9
92PANEL030WIP44	48	4000	4800	100lm/W	~230V	50/60Hz	595	595	9
92PANEL031WIP44	60	6000	4500	100lm/W	~230V	50/60Hz	595	595	30
92PANEL031CWIP44	60	6000	4500	100lm/W	~230V	50/60Hz	595	595	30

\* LED panels can be dimmed using a suitable dimmable driver and remote control.



Model	W	K	lm	lm/W	V <sub>AC</sub>	Hz	Size (mm)		
							W	L	H
92PANEL012W	24	4000	2400	100lm/W	~230V	50/60Hz	259	295	11
92PANEL013W	36	4000	3600	100lm/W	~230V	50/60Hz	295	595	11
92PANEL020W	48	4000	4800	100lm/W	~230V	50/60Hz	595	595	30
92PANEL020CW	48	6400	4800	100lm/W	~230V	50/60Hz	595	595	11
92PANEL018W*	45	4000	4500	100lm/W	~230V	50/60Hz	595	595	9
92PANEL030W	48	4000	4800	100lm/W	~230V	50/60Hz	595	595	9
92PANEL030CW	48	6400	4800	100lm/W	~230V	50/60Hz	595	595	9
92PANEL030WE	48	4000	4800	100lm/W	~230V	50/60Hz	595	595	9
92PANEL030CWE	48	6400	4800	100lm/W	~230V	50/60Hz	595	595	9
92PANEL031W	60	4000	6000	100lm/W	~230V	50/60Hz	595	595	30
92PANEL031CW	60	6000	6000	100lm/W	~230V	50/60Hz	595	595	30

\* LED panels can be dimmed using a suitable dimmable driver and remote control.

\*\* Colour frame - Aluminium

